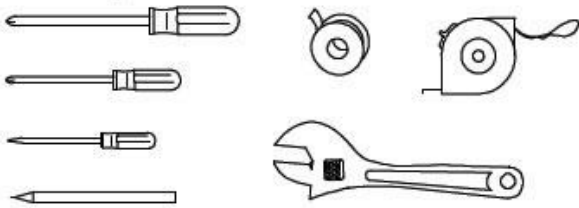
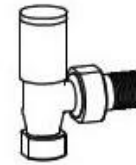


Please read all the instructions below carefully before the installation, which must be carried out by a qualified plumber/installer. Please contact the retailer if any of the parts are missing or you noticed any visible signs of damage.

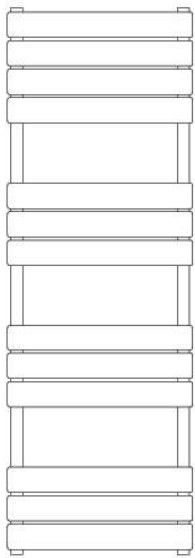
Tools Required



Parts Required (not supplied)



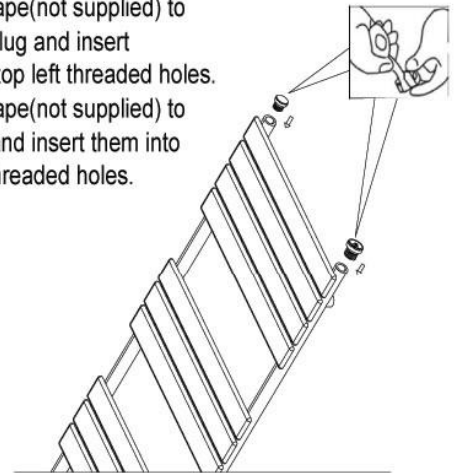
A pair of straight or angled valves



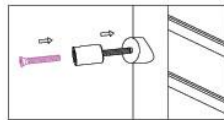
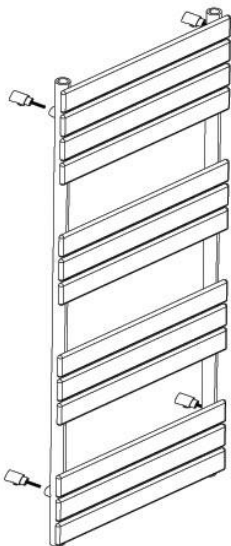
	Blanking Plug	1
	Air Vent Plug	1
	Masonry Wall Plug	4
	long Screw	4
	Spacer	4
	Wall Support	4
	M5X12 Cross Screw	4
	M6X25 Cross Screw	4

1

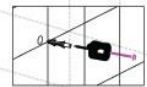
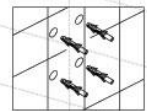
Apply PTFE tape(not supplied) to the blanking plug and insert them into the top left threaded holes. Apply PTFE tape(not supplied) to air vent plug and insert them into the top right threaded holes.

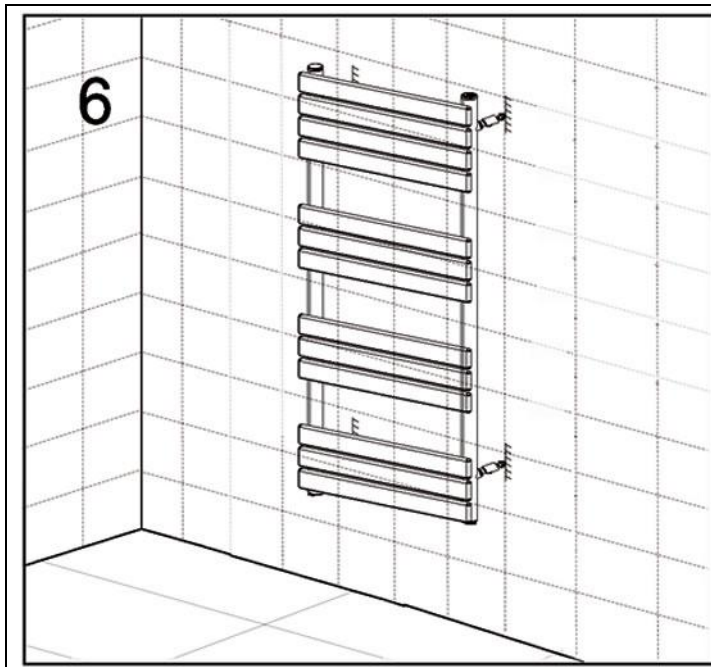
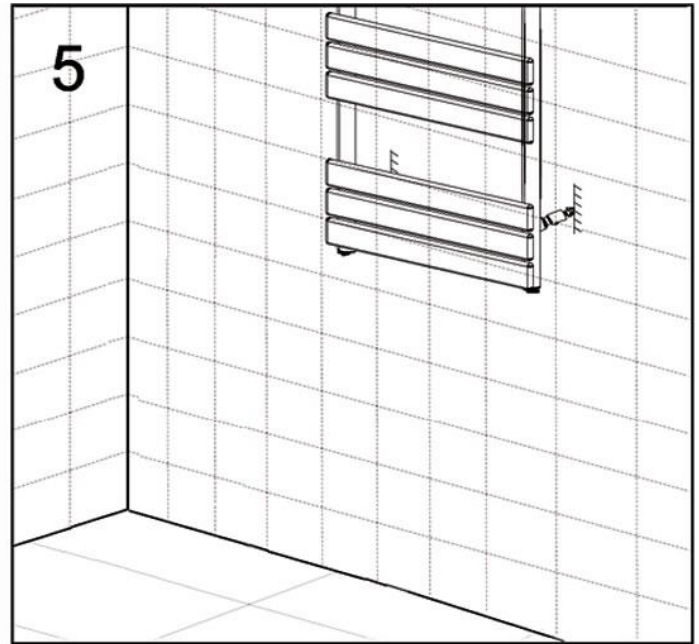
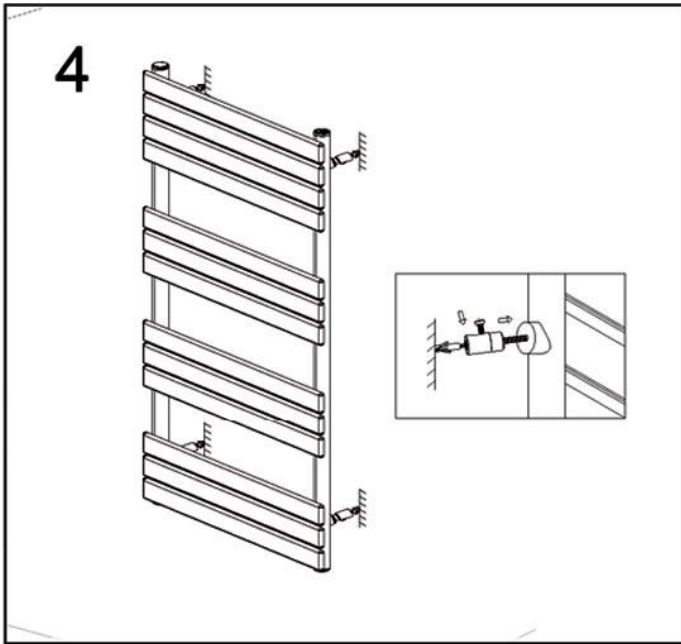


2



3





To operate the towel radiator:

- Turn the bleed valve open with the help of a screwdriver. Then turn on the inlet valve and let water into the radiator.
- Check all connection points to ensure there are no leakages.
- Wait until water overflows through the bleed valve as this would mean that there is no air trapped in the radiator.
- Turn off the bleed valve and then turn on the outlet valve. The radiator is now in operation.

Maintenance:

- The maximum operating pressure and water temperature should be 10 bar and 100°C (212°F) respectively.
- If the product is not to be used for long periods of time, it should remain filled containing rust inhibitor to prevent corrosion. However, if/when the ambient temperature is expected to fall below 0°C (32°F), you are advised to drain this product to prevent possible frost damage.
- If the water temperature in the central heating system is set to higher values than the UK average (60°C to 70°C), the surface of the radiator may become too hot for children, elderly and infirm people. Place a warning mark near the radiator in order to avoid scolding.
- This radiator must only be cleaned with a piece of cloth dipped in warm soapy water. Do NOT use any products containing chemicals as they may damage the chrome plating or paint.