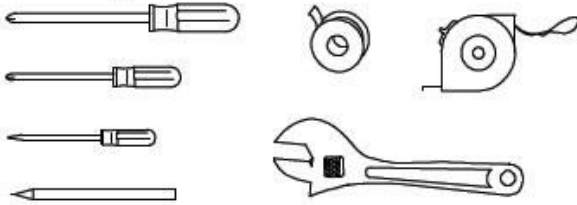
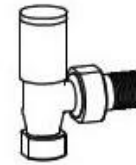


Please read all the instructions below carefully before the installation, which must be carried out by a qualified plumber/installer. Please contact the retailer if any of the parts are missing or you noticed any visible signs of damage.

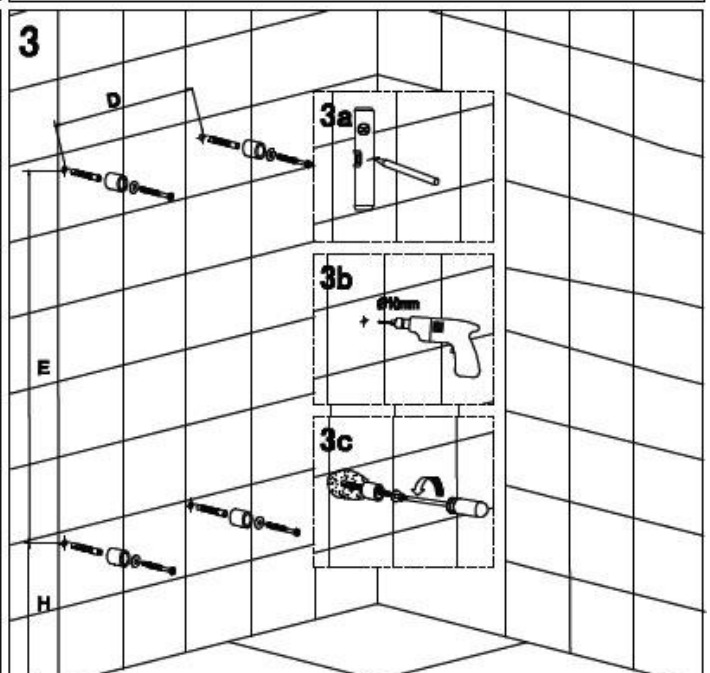
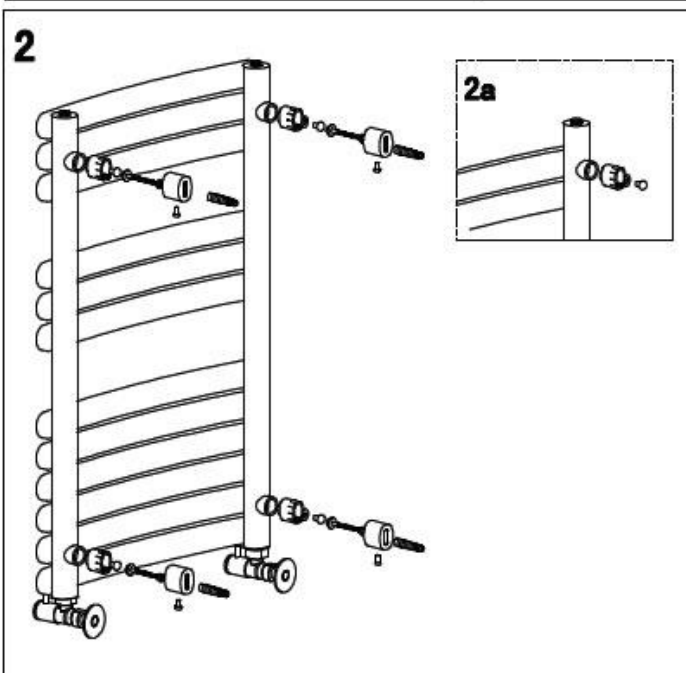
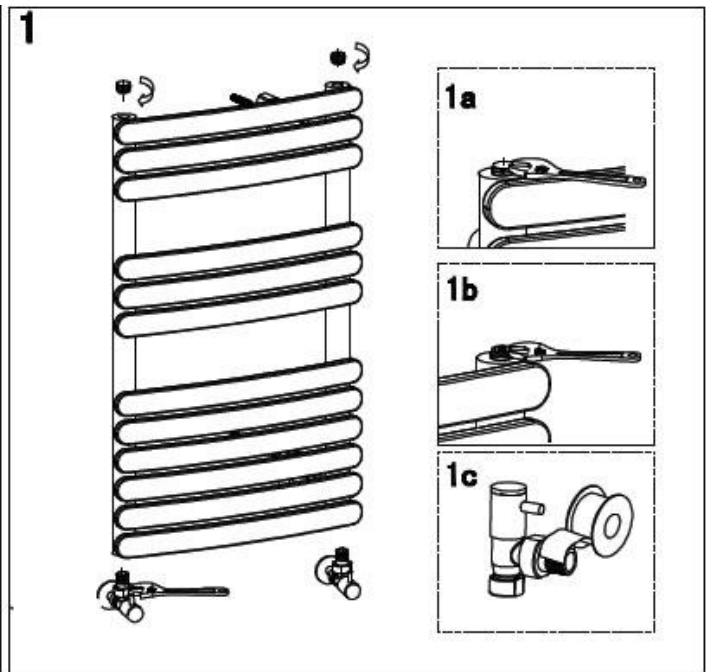
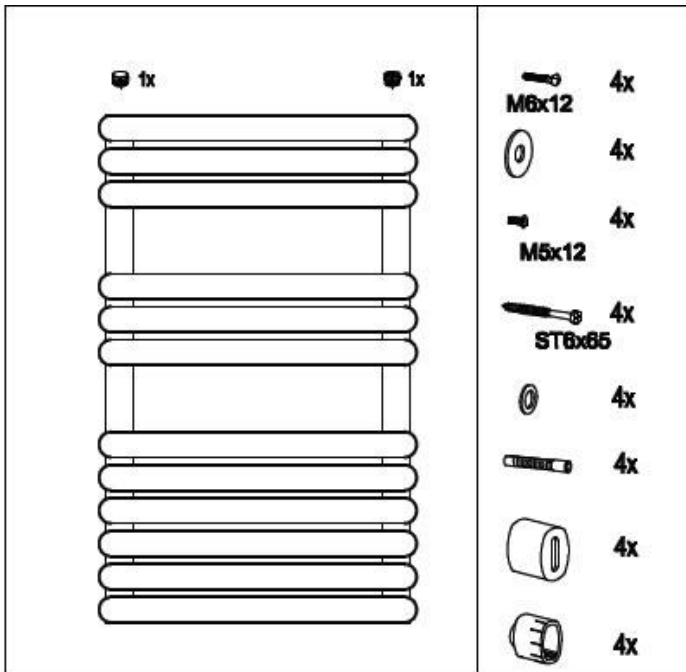
Tools Required

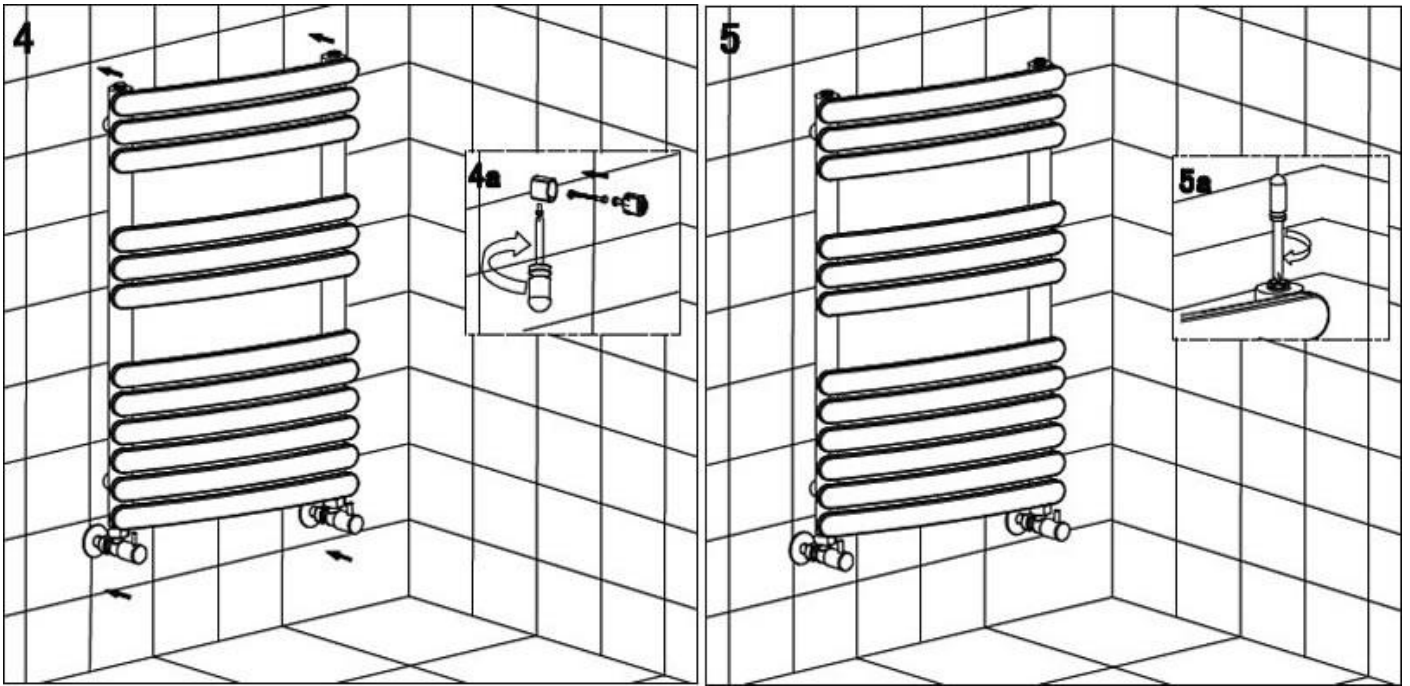


Parts Required (not supplied)



A pair of straight or angled valves





To operate the towel radiator:

- Turn the bleed valve open with the help of a screwdriver. Then turn on the inlet valve and let water into the radiator.
- Check all connection points to ensure there are no leakages.
- Wait until water overflows through the bleed valve as this would mean that there is no air trapped in the radiator.
- Turn off the bleed valve and then turn on the outlet valve. The radiator is now in operation.

Maintenance:

- The maximum operating pressure and water temperature should be 10 bar and 100°C (212°F) respectively.
- If the product is not to be used for long periods of time, it should remain filled containing rust inhibitor to prevent corrosion. However, if/when the ambient temperature is expected to fall below 0°C (32°F), you are advised to drain this product to prevent possible frost damage.
- If the water temperature in the central heating system is set to higher values than the UK average (60°C to 70°C), the surface of the radiator may become too hot for children, elderly and infirm people. Place a warning mark near the radiator in order to avoid scolding.
- This radiator must only be cleaned with a piece of cloth dipped in warm soapy water. Do NOT use any products containing chemicals as they may damage the chrome plating or paint.